

# PRECAST CHAMBER



FS-IMS | SM | FM-02 Version 1.1



**Head office:**  
FUJI Silvertch Concrete Pvt. Ltd.  
4th Floor, House No. 5  
Magnet Corporate Park  
Near Zydus Hospital, S. G. Highway  
Thaltej, Ahmedabad 380 054.  
Phone: +91 79 4021 0000  
Email: [info@fujisilvertch.com](mailto:info@fujisilvertch.com)  
Web: [www.fujisilvertch.com](http://www.fujisilvertch.com)

**Regional offices:**  
**Delhi-NCR, India**  
Level 18, One Horizon Center, Golf Course Road  
DLF Phase-5, Sector 43, Gurgaon 122 002.  
**Mumbai, India**  
309, H-2, Western Express Highway  
Nav Prabhat Society, Navpada, Vile Parle (E)  
Mumbai 400 057.  
**Vadodara, India**  
518, K-10 Grand, B/h Atlantis  
Sarabhai Campus, Alkapuri Road  
Vadodara, Gujarat 390 007.



Please scan the  
QR code on your  
smartphone to save  
the contact details





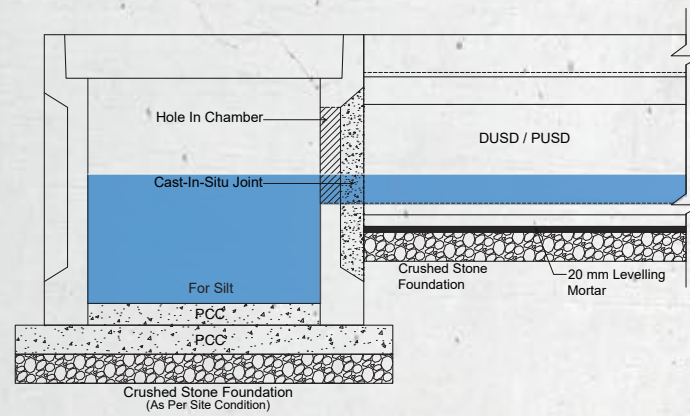
# CHAMBER



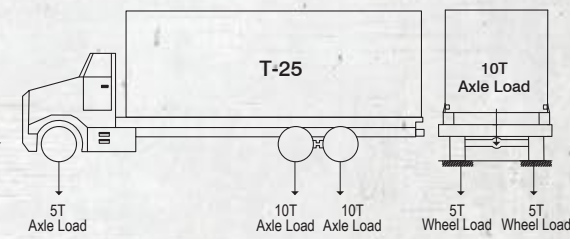
## PRECAST CHAMBER

High-strength precast reinforced cement concrete chambers, manufactured with high-performance self-compacting concrete as per Japanese Industrial Standards (JIS). Conforming to Indian standards; and useful for applications such as catch basin, manhole chamber, silt chamber or electrical chamber.

### TYPICAL CROSS SECTION



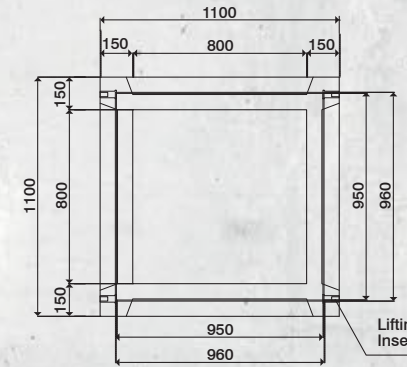
### LOAD CARRYING CAPACITY: 5T WHEEL LOAD (T-25)



Chamber Sizes		Drain Size	Box Culvert	Hume Pipe
H (mm)		(mm)	(mm)	(mm)
800 x 800	600	DUSD 300 x 300, ~ DUSD 750 x 750, & PUSD 300 x 300, ~ PUSD 750 x 750	Box - 300 x 300, Box - 500 x 500, Box - 600 x 600, Box - 800 x 800, Box - 600 x 100	Up to 600 Ø
	800			
	1000			
	1200			
	1400			
	1600			
	1800			
1000 x 1000	800	DUSD 300 x 300, ~ DUSD 900 x 900, & PUSD 300 x 300, ~ PUSD 900 x 900	Box - 300 x 300, Box - 500 x 500, Box - 600 x 600, Box - 800 x 800, Box - 600 x 1000	Up to 800 Ø
	1000			
	1200			
	1400			
1600 x 1400	1800	DUSD 300 x 300, ~ DUSD 1200 x 1200, & PUSD 300 x 300, ~ PUSD 900 x 900	Box - 300 x 300, Box - 500 x 500, Box - 600 x 600, Box - 800 x 800, Box - 600 x 1000	600 Ø ~ 1200 Ø
	2000			

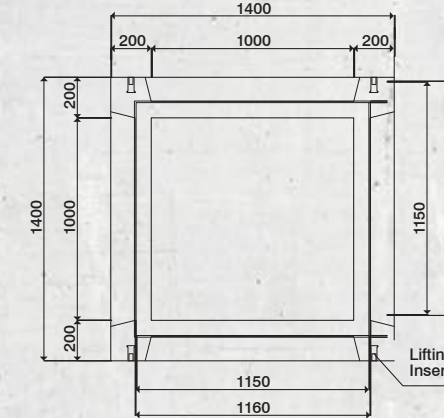
### TOP VIEW

□800 x 800



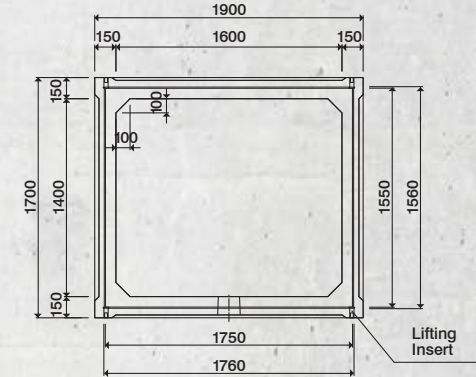
### TOP VIEW

□1000 x 1000

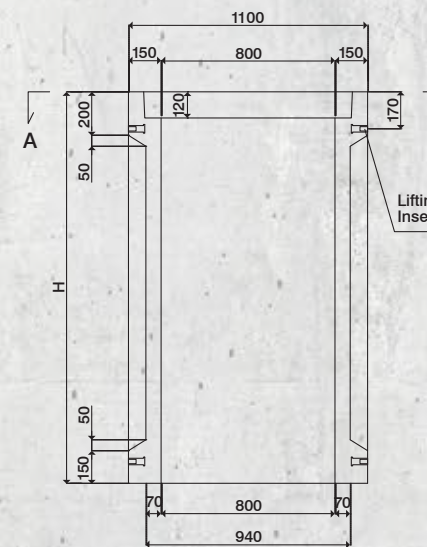


### TOP VIEW

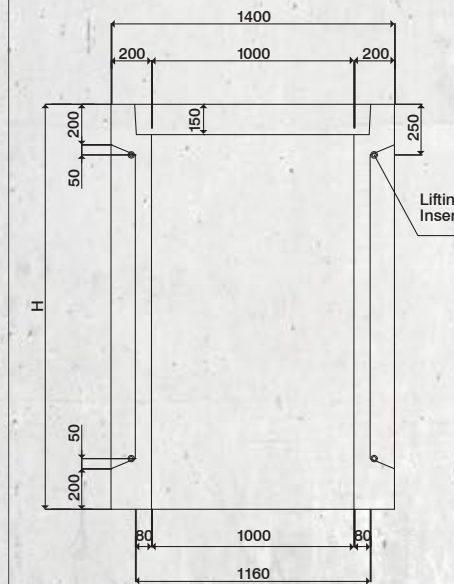
□1600 x 1400



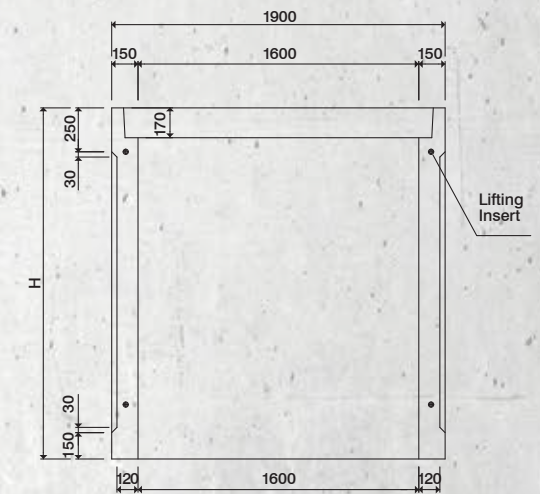
### SECTION



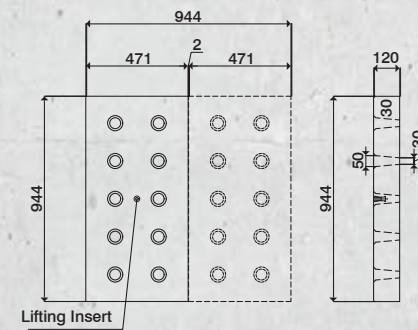
### SECTION



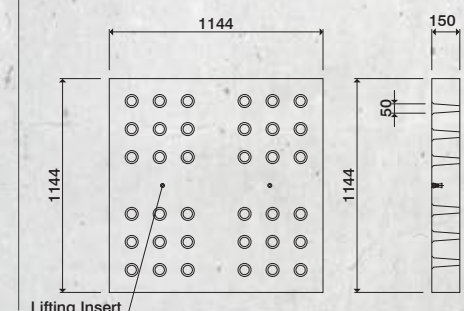
### SECTION



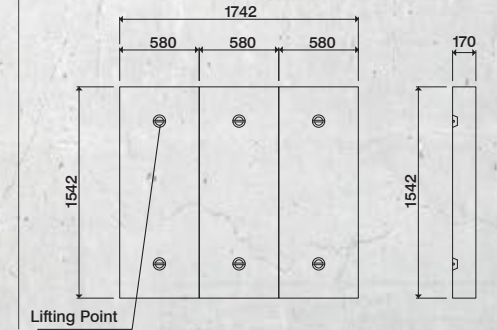
### □800 LID



### □1000 LID



### □1600 X 1400 LID



No Hole Lid for Electrical Chamber available.