

PRECAST FREE SLOPE DRAIN



FS-IMS | SM | FM-02 Version 1.1



Head office:
FUJI Silvertch Concrete Pvt. Ltd.
4th Floor, House No. 5
Magnet Corporate Park
Near Zydus Hospital, S. G. Highway
Thaltej, Ahmedabad 380 054.
Phone: +91 79 4021 0000
Email: info@fujisilvertch.com
Web: www.fujisilvertch.com

Regional offices:
Delhi-NCR, India
Level 18, One Horizon Center, Golf Course Road
DLF Phase-5, Sector 43, Gurgaon 122 002.
Mumbai, India
309, H-2, Western Express Highway,
Nav Prabhat Society, Navpada, Vile Parle (E)
Mumbai 400 057.
Vadodara, India
518, K-10 Grand, B/h Atlantis
Sarabhai Campus, Alkapuri Road
Vadodara, Gujarat 390 007.



Please scan the
QR code on your
smartphone to save
the contact details



FREE SLOPE DRAIN

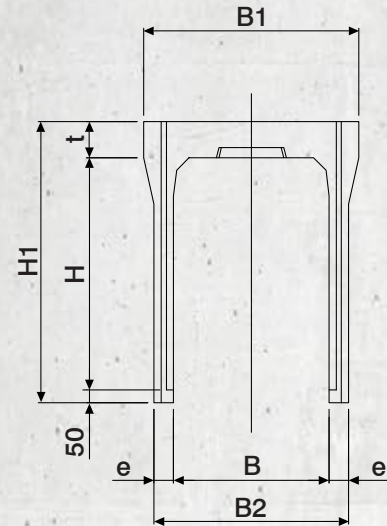
PRECAST FREE SLOPE DRAIN

High-strength, precast reinforced cement concrete free slope drains, manufactured as per Japanese Industrial Standards (JIS). Conforming to Indian standards; made with high performance materials and capable of carrying a wheel load of 5.0 Tonnes for heavy vehicle movement.

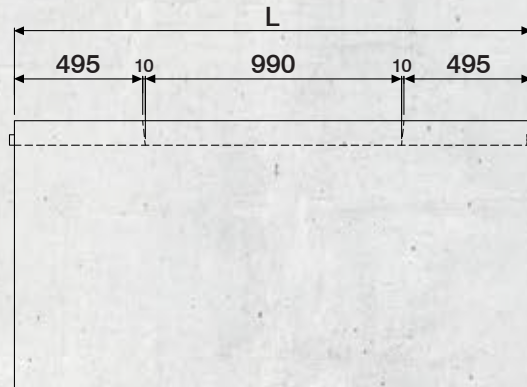


FRONT VIEW

FSD 300-600

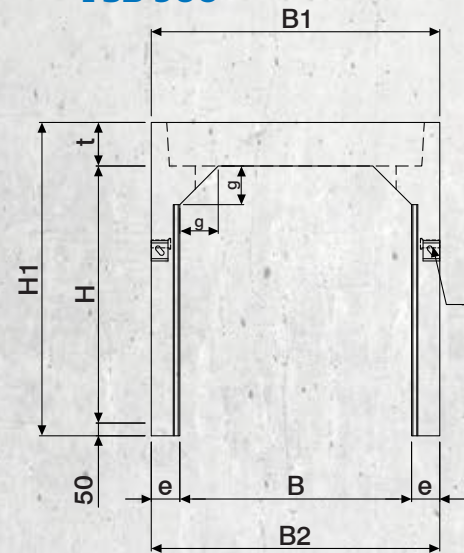


SIDE VIEW

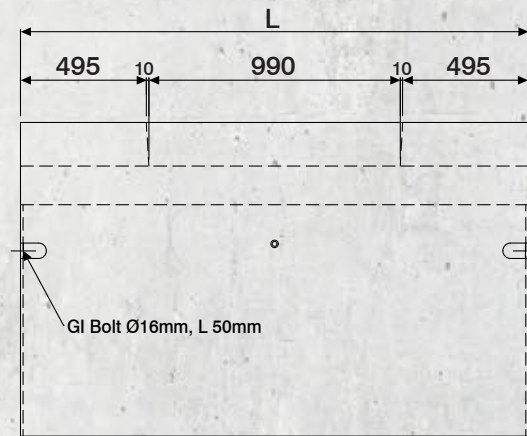


FRONT VIEW

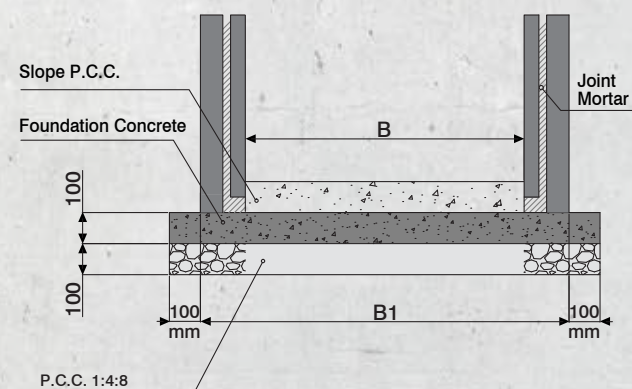
FSD 900



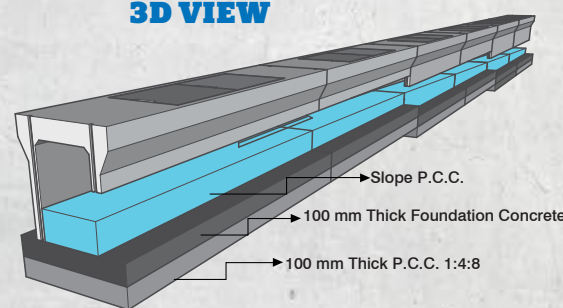
SIDE VIEW



TYPICAL BASE



3D VIEW

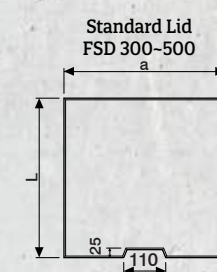


Dimension Table

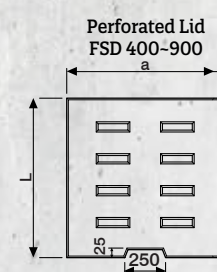
Size (mm) B X H	Dimension (mm)								
	B	L	H	B1	B2	H1	t	e	g
300 x 300	300	2000	300	500	400	445	95	50	25
300 x 400	300	2000	400	500	410	545	95	55	30
300 x 500	300	2000	500	500	410	645	95	55	30
300 x 600	300	2000	600	500	430	745	95	65	35
300 x 700	300	2000	700	500	430	845	95	65	35
300 x 800	300	2000	800	500	450	945	95	75	40
300 x 900	300	2000	900	500	450	1045	95	75	40
300 x 1000	300	2000	1000	500	470	1145	95	85	45
300 x 1100	300	2000	1100	500	470	1245	95	85	45
400 x 500	400	2000	500	610	520	660	110	60	40
400 x 600	400	2000	600	610	520	760	110	60	40
400 x 700	400	2000	700	610	540	860	110	70	45
400 x 800	400	2000	800	610	540	960	110	70	45
400 x 900	400	2000	900	610	560	1060	110	80	50
400 x 1000	400	2000	1000	610	560	1160	110	80	50
400 x 1100	400	2000	1100	610	580	1260	110	90	55
400 x 1200	400	2000	1200	610	580	1360	110	90	55
500 x 600	500	2000	600	720	640	775	125	70	50
500 x 700	500	2000	700	720	640	875	125	70	50
500 x 800	500	2000	800	720	640	975	125	70	50
500 x 900	500	2000	900	720	670	1075	125	85	60
500 x 1000	500	2000	1000	720	670	1175	125	85	60
500 x 1100	500	2000	1100	720	670	1275	125	85	60
500 x 1200	500	2000	1200	720	690	1375	125	95	70
500 x 1300	500	2000	1300	720	690	1475	125	95	70
500 x 1400	500	2000	1400	720	690	1575	125	95	70
600 x 700	600	2000	700	830	750	890	140	75	60
600 x 800	600	2000	800	830	750	990	140	75	60
600 x 900	600	2000	900	830	750	1090	140	75	60
600 x 1000	600	2000	1000	830	780	1190	140	90	70
600 x 1100	600	2000	1100	830	780	1290	140	90	70
600 x 1200	600	2000	1200	830	780	1390	140	90	70
600 x 1300	600	2000	1300	830	800	1490	140	100	80
600 x 1400	600	2000	1400	830	800	1590	140	100	80
600 x 1500	600	2000	1500	830	800	1690	140	100	80
900 x 700	900	2000	700	1120	1120	920	170	110	150
900 x 800	900	2000	800	1120	1120	1020	170	110	150
900 x 900	900	2000	900	1120	1120	1120	170	110	150
900 x 1000	900	2000	1000	1120	1120	1220	170	110	150
900 x 1100	900	2000	1100	1120	1120	1320	170	110	150
900 x 1200	900	2000	1200	1120	1120	1420	170	110	150
900 x 1300	900	2000	1300	1120	1120	1520	170	110	150
900 x 1400	900	2000	1400	1120	1120	1620	170	110	150
900 x 1500	900	2000	1500	1120	1120	1720	170	110	150
900 x 1600	900	2000	1600	1120	1120	1820	170	110	150
900 x 1700	900	2000	1700	1120	1120	1920	170	110	150
900 x 1800	900	2000	1800	1120	1120	2020	170	110	150

Note: Customized sizes available for mass quantity.

LID TOP VIEW



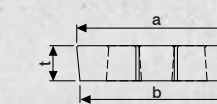
LID TOP VIEW



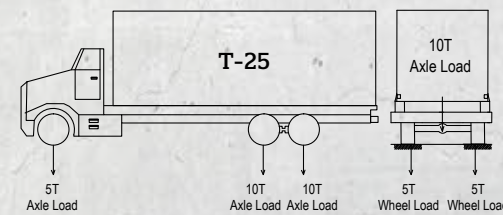
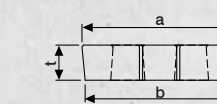
FSD Lid

Drain Size(mm)	Lid Dimension (mm)			
	a	b	L	t
300	400	380	500	95
400	500	480	500	110
500	600	580	500	125
600	700	680	500	140
900	990	970	500	170

LID SIDE VIEW



LID SIDE VIEW



LOAD CARRYING CAPACITY: 5 T WHEEL LOAD (T-25)

FSD is designed as a longitudinal drain and it is intended to be used at the shoulder of the road.